

PERFORMANCE & SPECIFICATION

Model
KE001

● PERFORMANCE



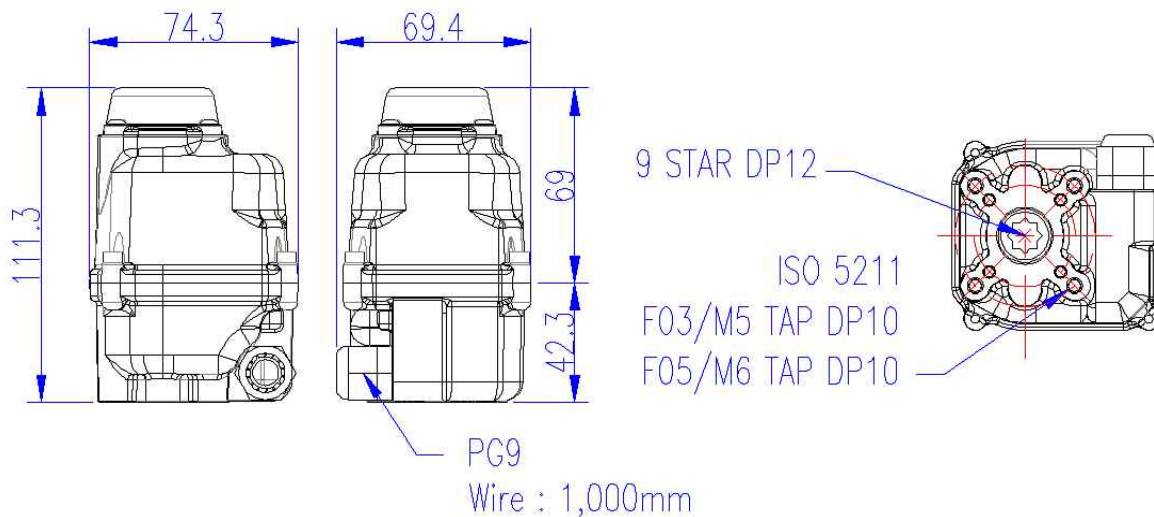
MODEL	MAX TORQUE (Nm)	OP.TIME 50/60Hz (sec)	RATED CURRENT (A)		DUTY-CYCLE	MOTOR CLASS/OUTPUT
			AC(1PHASE) 50/60Hz			
			110V	220V		
KE001	8	14.5/12	1/0.9	0.7/0.6	40%	E/2W
KE001-4N	4	7/6	1/0.9	0.7/0.6	40%	E/2W
KE001-2N	2	3.5/3	1/0.9	0.7/0.6	40%	E/2W

*KE001-4N과 KE001-2N은 출시 예정입니다.
 *KE001-4N and KE001-2N will be released.
 *Maximum current is +30% from Rated current.

● STANDARD SPECIFICATION

MAIN POWER	110V/220V AC 1PH
DUTY CYCLE	40%
INDICATOR	DOME TYPE MECHANICAL INDICATOR
MANUAL OPERATION	N/A
TRAVEL ANGLE	90°
CABLE ENTRIES	WIRE TYPE
AMBIENT TEMPERATURE	-20℃~+60℃
EXTERNAL COATING	POWDER COATING
INSIDE HEATER	1PH 220V/110 2W (Only AC)

● DRAWING



*비례제어 출시 예정입니다. *Modulating Control will be released.

KOSAPLUS Co.,Ltd. 294, Gongdan2daero, Siheung, Gyeonggi, 15115 Korea

●http://www.kosaplus.com ●Tel:+82-31-433-3159 ●Fax: +82-31-433-3151

(주)코사플러스 경기도 시흥시 공단2대로 294 3바 301-1호

